



# SPLIT AIR Conditioner NORD

## Features

- Outdoor unit heater (heating belt)
- Low temperature heating
- Refrigerant R32
- High efficiency DC Inverter split
- Remote control
- WIFI module (USB)
- Healthy filters
- 4D airflow
- Gentle cool wind
- Self cleaning/56°C high temp
- Anti-Cold Air
- Auto mode
- 6-fan speed
- I feel mode
- Intelligent defrost
- Children lock
- Eco mode



Mobile App (TUYA standard):





# SPLIT AIR Conditioner NORD

## Specification:

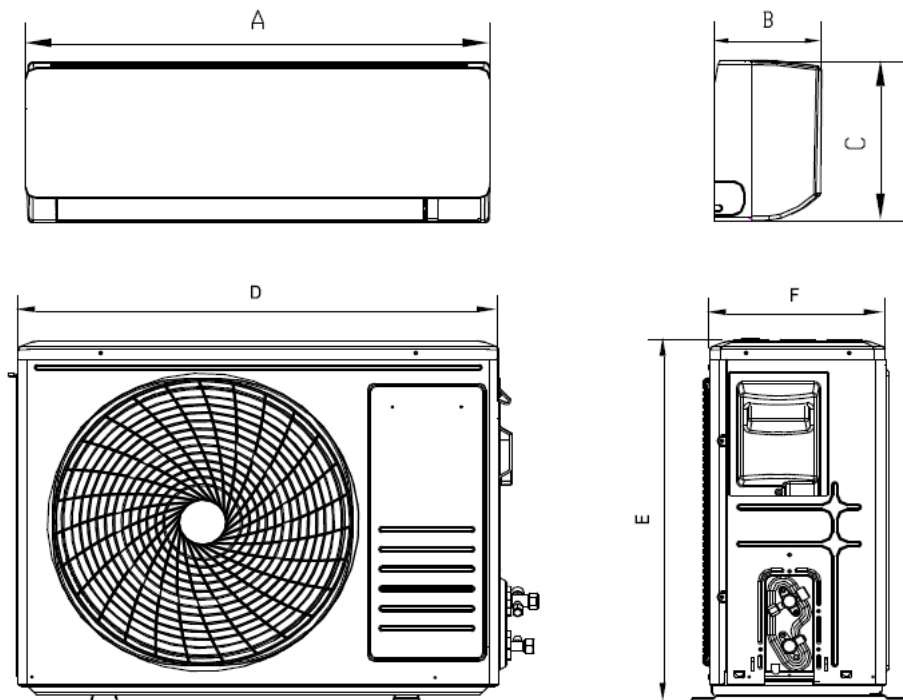
|                                     |             |                   | NORD 09K WIFI   | NORD 12K WIFI   |
|-------------------------------------|-------------|-------------------|---|---|
| Type                                |             |                   | heating pump  | heating pump  |
| Control type                        |             |                   | remote controller   | remote controller   |
| Declared cooling capacity           | W           |                   | 2600(940~3320)  | 3300(1000~3810)   |
| Declared heating capacity           | W           |                   | 2650(940~3380)  | 3500(1000~3910)   |
| Pdesignc                            | W           |                   | 2600  | 3300  |
| SEER declared                       | W/W         |                   | 6,1   | 6,1   |
| Energy Class                        |             |                   | A++   | A++   |
| Pdesignh Average                    | W           |                   | 2100  | 2400  |
| SCOP Average declared               | W/W         |                   | 4,0   | 4,0   |
| Energy Class(Average)               |             |                   | A+  | A+  |
| Declare capacity(-10°C)             | W           |                   | 2000  | 2200  |
| Back up heating capacity(-10°C)     | W           |                   | 100   | 200   |
| Indoor sound power(S/H/M/L/Mute)    | dB(A)       |                   | 52/47/43/35/32  | 52/47/43/35/32  |
| Outdoor sound power                 | dB(A)       |                   | 62  | 62  |
| Indoor sound pressure(S/H/M/L/Mute) | dB(A)       |                   | 42/37/33/25/22  | 42/37/33/25/22  |
| Outdoor sound pressure              | dB(A)       |                   | 52  | 52  |
| <b>Electrical Data</b>              |             |                   |   |   |
| Power supply                        |             |                   | 220-240V~/50Hz/1P   | 220-240V~/50Hz/1P   |
| Power supply side                   |             |                   | Outdoor   | Outdoor   |
| Voltage Range                       |             | V                 | 165~265   | 165~265   |
| Operating current                   | Cooling     | A                 | 4.7(1.2~8.0)  | 5.5(1.5~9.0)  |
|                                     | Heating     | A                 | 4.4(1.2~9.0)  | 5.3(1.5~10.0)   |
| Power consumption                   | Cooling     | W                 | 890(240~1390)   | 1096(290~1500)  |
|                                     | Heating     | W                 | 800(240~1560)   | 1060(290~1730)  |
| <b>Refrigerating System</b>         |             |                   |   |   |
| Compressor                          | Type        |                   | Rotary  | Rotary  |
| Indoor air circulation              |             | Cooling/heating   | m <sup>3</sup> /h   | 560/560   |
| Indoor fan speed<br>S/H/M/L/Mute    | Cooling     | rpm               | 1150/1080/920/800/700                                       | 1150/1080/920/800/700                                       |
|                                     | Heating     | rpm               | 1250/1100/1000/900/850                                      | 1250/1100/1000/900/850                                      |
|                                     | Dry         | rpm               | 800   | 800   |
|                                     | Sleep       | rpm               | /   | /   |
| Outdoor air circulation             |             | m <sup>3</sup> /h | 2200  | 2200  |
| Outdoor fan speed(S/H/M/L/Mute)     |             | rpm               | Cooling: 950/810/730/610/450<br>Heating:950/850/730/730/730 | Cooling: 950/810/730/610/450<br>Heating:950/850/730/730/730 |
| <b>Connections</b>                  |             |                   |   |   |
| Connecting Wiring                   | Core x Size |                   | 4x0.75mm <sup>2</sup>                                       | 4x0.75mm <sup>2</sup>                                       |
| Expansion device                    |             |                   | Capillary   | Capillary   |
| Connecting Pipe                     | Gas         | Inches            | 3/8"  | 3/8"  |
|                                     | Liquid      | Inches            | 1/4"  | 1/4"  |

| Others                       |         |    |                               |                               |
|------------------------------|---------|----|-------------------------------|-------------------------------|
| Max. refrigerant pipe length | m       |    | 25                            | 25                            |
| Max. difference in level     | m       |    | 10                            | 10                            |
| Operation temperature range  | °C      |    | 16-31                         | 16-31                         |
| Ambient temperature range    | Outdoor | °C | Cooling:-15-53/Heating:-25-30 | Cooling:-15-53/Heating:-25-30 |
|                              | Indoor  | °C | Cooling:17-32/Heating:0-30    | Cooling:17-32/Heating:0-30    |
| Net weight                   | Indoor  | kg | 8,5                           | 8,5                           |
|                              | Outdoor | kg | 25                            | 25                            |

## Dimensions:

|               | A     | B     | C     | D     | E     | F     |
|---------------|-------|-------|-------|-------|-------|-------|
| NORD 09K WIFI | 790mm | 192mm | 275mm | 795mm | 549mm | 305mm |
| NORD 12K WIFI |       |       |       |       |       |       |

## Technical drawing:





# SPLIT AIR Conditioner NORD

## Efficiency labels:

