



MULTI-SPLIT AIR Conditioner OMEGA

Features:

- Refrigerant R32
- High efficiency DC Inverter multi-split
- Remote control
- WIFI module
- Healthy filters
- 4D airflow
- Auto mode
- 5-fan speed
- Children lock
- Eco mode



Mobile App (TUYA standard):





MULTI-SPLIT AIR Conditioner OMEGA

Specification:

OUTDOOR UNITS		OMEGA ODU 18K2 G3	OMEGA ODU 27K3 G3	OMEGA ODU 32K4
		1 to 2	1 to 3	1 to 4
Standard indoor combination under Erp		09+09	09+09+09	09+09+09+09
One unit		09,12,18	/	/
Two units		09+09,09+12,09+18,12+12	09+09,09+12,12+12,09+18,12+18,18+18	09+09,09+12,12+12,09+18,12+18,18+18
Three units		None	09+09+09,09+09+12,09+09+18,09+12+12,09+12+18,12+12+12	09+09+09,09+09+12,09+12+12,09+09+18,09+12+18,12+12+12,12+12+18
Four units		None	None	9+9+9+9,9+9+9+12,9+9+9+18,9+9+12+12,9+12+12+12
Five units		None	None	None
Control type		Remote Controller	Remote Controller	Remote Controller
Cooling capacity	Btu/h	17400(4200~19100)	27000(9500~30000)	32000(10600~35000)
	W	5100(1230~5600)	7900(2800~8800)	9400(3100~10200)
Heating capacity	Btu/h	18000(4400~19600)	27000(8350~30000)	32000(8700~35000)
	W	5200(1290~5750)	7960(2450~8800)	9450(2550~10200)
Phdesignc	Btu/h	18000	27000	32000
	W	5100	7900	9300
Phdesignh	Btu/h	13650	19100	25000
	W	4000	5600	7300
SEER (Class)	W/W	6.1(A++)	6.1 (A++)	6.1 (A++)
SCOP (Class)	W/W	4.0(A+)	4.0 (A+)	4.0 (A+)
EER	W/W	3,30	3,23	3,40
COP	W/W	3,90	3,71	3,71
Declare capacity(-10°C)	W	3800	5200	6800
Elbu (Backup electrical capacity)	W	200	400	500
Outdoor sound power level	dB(A)	65	67	70
Phdesignh warmer	W	4000	5700	7500
SCOP warmer (Class)	W/W	4.6(A++)	4.6(A++)	4.6(A++)
Declare capacity(2°C)	W	4000	5700	7500
Elbu (Backup electrical capacity)	W	0	0	0
Phdesignh Colder	W	4500	6000	5400
SCOP Colder (Class)	W/W	3.4(A)	3.4(A)	3.6(A)
Declare capacity(-22°C)	W	4000	5100	4600
Elbu (Backup electrical capacity)	W	500	900	800



MULTI-SPLIT AIR Conditioner OMEGA

Electrical Data					
Power supply			220-240V~/50HZ	220-240V~/50HZ	220-240V~/50HZ
Voltage Range		V	165~265	165~265	165~265
Power input	Cooling	W	1545(280~2050)	2445(350~2850)	2765(410~3500)
	Heating	W	1333(280~2050)	2145(420~2850)	2547(510~3500)
Operating Current	Cooling	A	7.5(1.3~10.5)	11.7(1.6~14.0)	14.1(1.8~17.0)
	Heating	A	6.2(1.3~10.5)	10.1(1.9-14.0)	13.0(2.3~17.0)
Annual electricity consumption	Cooling	KWh	293	453	534
	Average	KWh	1400	1960	2555
	Warmer	KWh	-	-	-
	Colder	KWh	-	-	-
Refrigerating System					
Refrigerant/Charge	Gram		R32/1100g	R32/1500g	R32/2200g
CO2 equivalent	Tonnes		0,743	1,013	1,485
Compressor type			Rotary	Twin Rotary	Twin Rotary
Fan System					
Outdoor fan type			axial-flow	axial-flow	axial-flow
Outdoor fan speed	rpm		1000	850	850
Outdoor coil					
Number of rows	/		2	2	2
Number of U tube	/		26	30	42
Tube outside dia	mm		7	7	7
Tube type	/		Rifled tube	Rifled tube	Rifled tube
Fin spacing	mm		1,4	1,4	1,6
Fin type			Corrugated sheet	Corrugated sheet	Corrugated sheet
Tube pitch(a)x row pitch(b)	mm		18.2x21	18.2x21	18.2x21
Connections					
Refrigerant coupling			Flare	Flare	Flare
High & low pressure valve	Liquid	Inches	1/4"	1/4"	1/4"
	Gas	Inches	3/8" should use 1/2" pipe for 18K duct	3/8" should use 1/2" pipe for 18K duct	3/8" should use 1/2" pipe for 18K duct
Others					
Net dimensions (W x H x D)	mm		853x602x349	920x699x380	990x910x340
Net weight	kg		31	42	68



MULTI-SPLIT AIR Conditioner OMEGA

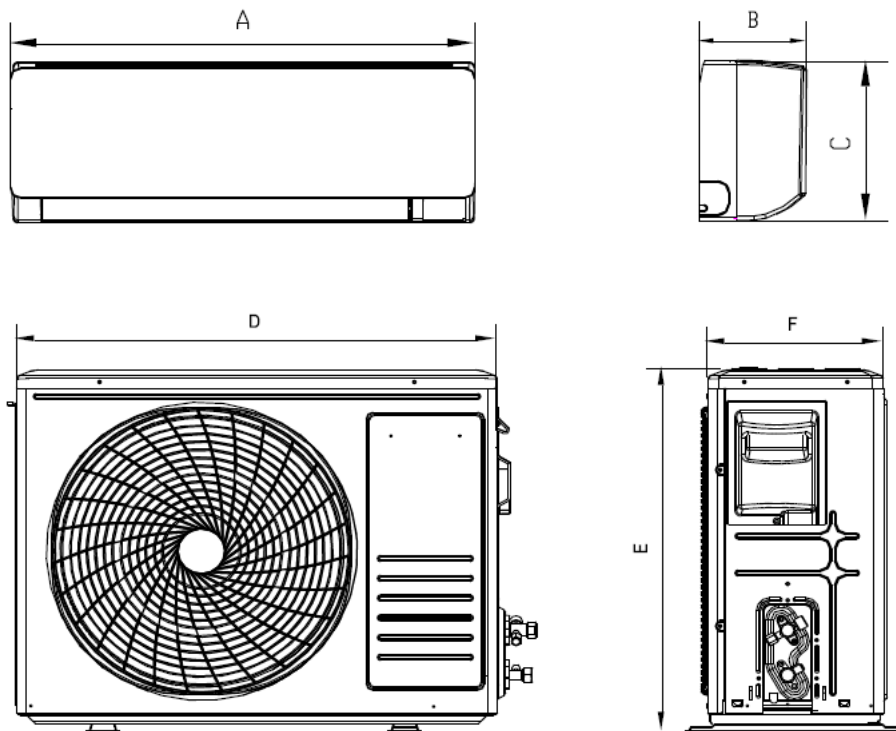
INDOOR UNITS			OMEGA WM 09K/I	OMEGA WM 12K	OMEGA WM 18K	
Type			HEAT PUMP	HEAT PUMP	HEAT PUMP	
Control type			Remote Controller	Remote Controller	Remote Controller	
Cooling capacity		Btu/h	9000	12000	17500	
Heating capacity		Btu/h	9000	12000	17800	
Pressure	High(DP)	MPa	3,7	3,7	3,7	
	Low(SP)	MPa	1,2	1,2	1,2	
Indoor sound power(S/H/M/L/Mute)		dB(A)	50/47/43/35/32	50/47/43/35/32	53/50/47/43/36	
Indoor sound pressure(S/H/M/L/Mute)		dB(A)	40/37/33/25/22	40/37/33/25/22	43/41/38//35/27	
Electrical Data						
Power supply			220-240V~/50HZ	220-240V~/50HZ	220-240V~/50HZ	
Voltage Range		V	165~265	165~265	198~264	
Current	Cooling	A	0,2	0,2	0,34	
	Heating	A	0,2	0,2	0,34	
Power input	Cooling	W	35	35	52	
	Heating	W	35	35	52	
Fan System						
Indoor air circulation		m3/h	550	550	800	
Indoor fan type			CROSS FLOW FAN	CROSS FLOW FAN	CROSS FAN	
Indoor coil						
Number of rows		/	2	2	2	
Tube outside dia		mm	7	7	7	
Tube type		/	Rifled tube	Rifled tube	Rifled tube	
Fin spacing		mm	1,5	1,5	1,5	
Fin type			window sheet	window sheet	window sheet	
Tube pitch(a)x row pitch(b)		mm	21x25.4	21x25.4	21x12.7	
Connections						
Refrigerant coupling			Flare	Flare	Flare	
Connecting Pipe	Liquid	Inches	1/4"	1/4"	1/4"	
	Gas	Inches	3/8"	3/8"	3/8"	
	Maxium length for each indoor unit			15m	15m	15m
	Maxium heighth difference			10m	10m	10m
	Standard weight charged			5m/indoor unit	5m/indoor unit	5m/indoor unit
	Extra weight charge			15g/m	15g/m	20g/m
Others						
Net dimensions (W x H x D)	Indoor	mm	777x250x201	777x250x201	910x294x206	
Net weight	Indoor	kg	8	8	10	

Dimmensions:

	A	B	C
OMEGA WM 09K/I	777	201	250
OMEGA WM 12K	777	201	250
OMEGA WM 18K	910	206	294

	D	E	F
OMEGA ODU 18K2 G3	853	602	349
OMEGA ODU 27K3 G3	920	699	380
OMEGA ODU 32K4	990	910	340

Technical drawing:





MULTI-SPLIT AIR Conditioner OMEGA

Efficiency labels:

